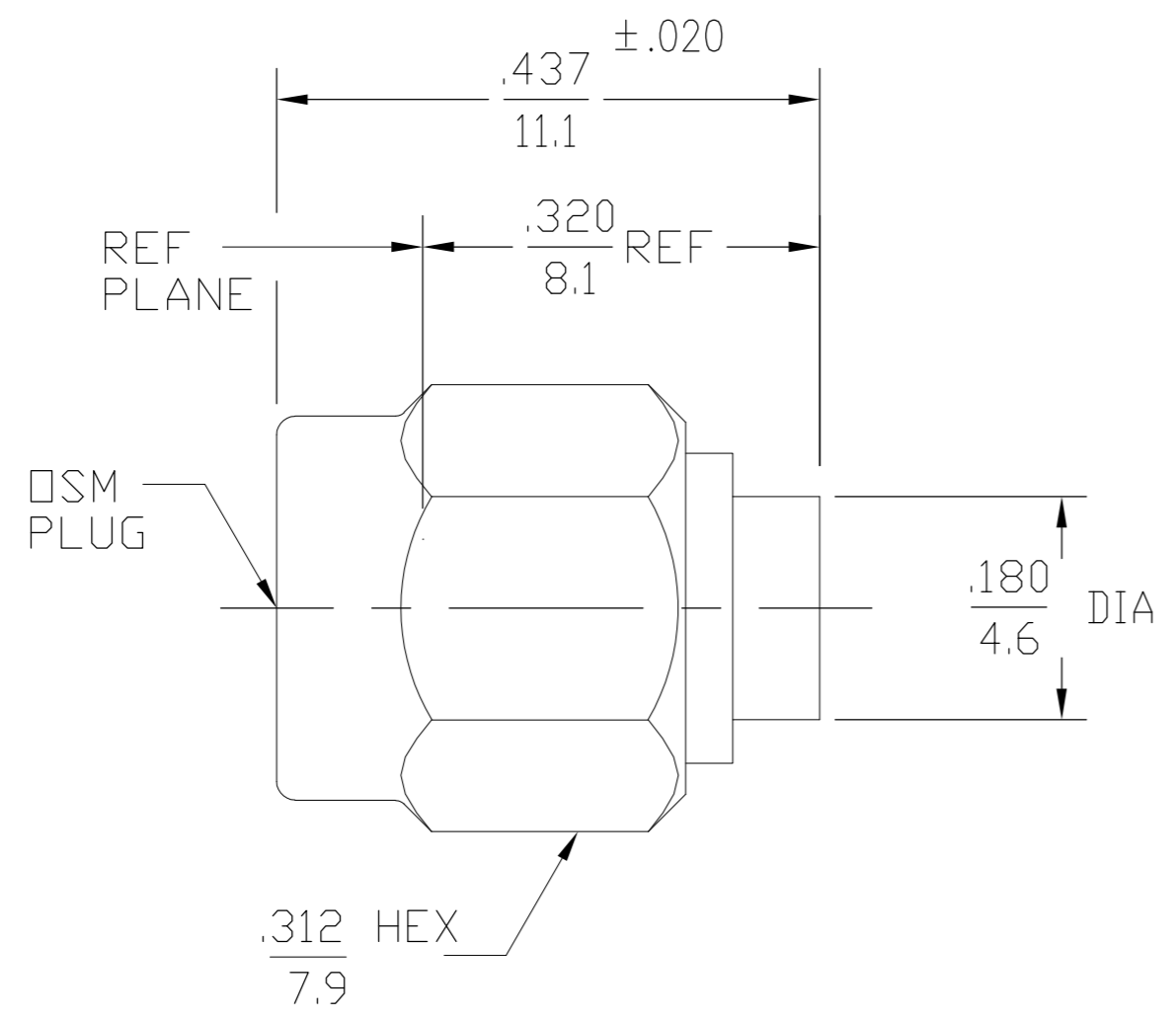


THIS DRAWING IS UNPUBLISHED. RELEASED FOR PUBLICATION
 © COPYRIGHT BY TYCO ELECTRONICS CORPORATION. ALL RIGHTS RESERVED.

DESIGNED FOR USE WITH
 .141 DIA S/R CABLE
 CABLE ENTRY DIAMETER
 MINIMUM

| | |
|---------|------|
| HOUSING | .144 |
| CONTACT | .037 |

| LOC | DIST | REVISIONS | | | | |
|-----|------|-------------|-----------------------|----------|------|----|
| P | LTR | DESCRIPTION | DATE | DWN | APVD | |
| AJ | 00 | B | REV PER ECO 07-004710 | 3-2-2007 | DW | KW |



1056227-1
 PART NUMBER

| ELECTRICAL | MECHANICAL | ENVIRONMENTAL |
|---|--|---|
| Nominal Impedance (Ohms) <u>50</u> | Interface Dimensions MIL-STD-348, Fig. 310.1 | TEMPERATURE RATING <u>-65°C TO 125°C</u> |
| Frequency Range (GHz) DC to <u>27.0</u> | Recommended Mating Torque <u>7-10 Inch Pounds</u> | Vibration MIL-STD-202, Method 204, Condition D |
| Volt Rating (VRMS MAX) @ Sea Level <u>500</u> | Mating Characteristics: Insertion (MAX Lbs) <u>3.0</u> | Shock MIL-STD-202, Method 213, Condition I |
| VSWR <u>1.05 + .01 f(GHz)</u> | Withdrawal (MIN Oz) <u>1.0</u> | Thermal Shock MIL-STD-202, Method 107, Condition B, EXCEPT HIGH TEMP SHALL BE 115°C |
| Insertion Loss (dB MAX) <u>.03 √f(GHz)</u> | Force to Engage and Disengage (In/Lbs MAX) <u>2.0</u> | Moisture Resistance MIL-STD-202, Method 106, Except Vibration |
| RF Leakage (dB MIN) <u>-90 @ 2-3 GHz</u> | Cable Retention (lbs MIN) <u>60.0</u> | Shall Be Omitted |
| Corona, 70,000 Ft (VRMS MIN) <u>375</u> | Torque (in-oz) <u>55.0</u> | Corrosion - MIL-STD-202, Method 101, Condition B, 5% salt spray |
| Dielectric Withstanding Voltage (VRMS MIN) @ Sea Level <u>1,500</u> | Weight (Grams) <u>2.6</u> | |
| Contact Resistance (Milliohms MAX) Center Contact <u>3.0</u> | | |
| Outer Contact <u>2.0</u> | | |
| RF High Potential @ Sea Level (VRMS MIN @ 5 MHz) <u>1,000</u> | | |
| I.R.(Megohms MIN) <u>5,000</u> | | |

| COMPONENT | MATERIAL | FINISH |
|----------------------|---|----------------------------|
| HOUSING COUPLING NUT | STAINLESS STEEL PER ASTM-A484 AND ASTM-A582, TYPE 303 | GOLD PLATE PER MIL-G-45204 |
| DIELECTRIC | PTFE FLUOROCARBON PER ASTM-D-1457 | N/A |
| CENTER CONTACT | BERYLLIUM COPPER PER ASTM B 196, ALLOY C17300, CONDITION H OR BRASS PER ASTM-B-16 | GOLD PLATE PER MIL-G-45204 |
| RETAINING RING | BERYLLIUM COPPER PER ASTM B 194, ALLOY C17200, CONDITION HT | N/A |
| GASKET | SILICONE RUBBER PER ZZ-R-765 | N/A |

.XXX = in
 XX.X = mm

| | | | |
|--|--|------------------|---|
| THIS DRAWING IS A CONTROLLED DOCUMENT. | | DWN SK 4-12-78 | Tyco Electronics Corporation Harrisburg, PA 17105-3608 |
| DIMENSIONS: INCHES | | CHK KWW 4/13/78 | |
| TOLERANCES UNLESS OTHERWISE SPECIFIED: | | APVD RMF 4-19-78 | NAME OSM STRAIGHT CABLE PLUG DIRECT SOLDER ATTACHMENT |
| 0 PLC ± - | | PRODUCT SPEC | |
| 1 PLC ± - | | APPLICATION SPEC | SIZE A2 |
| 2 PLC ± - | | WEIGHT - | CAGE CODE 00779 |
| 3 PLC ± .005 | | SCALE 5:1 | DRAWING NO C=1056227 |
| 4 PLC ± - | | SHEET 1 of 1 | RESTRICTED TO - |
| ANGLES ± 1° | | REV B | |
| MATERIAL - | | CUSTOMER DRAWING | |